

# MEP555-P144-GB

## MonoPERC-144cell-M10 Monofacial

**0~+5W**

Positive Power Tolerance

**21.5%**

Maximum Efficiency

**530-555W**

### High Conversion Efficiency

High solar panel efficiency to guarantee high power output

### Better Weak Light Performance

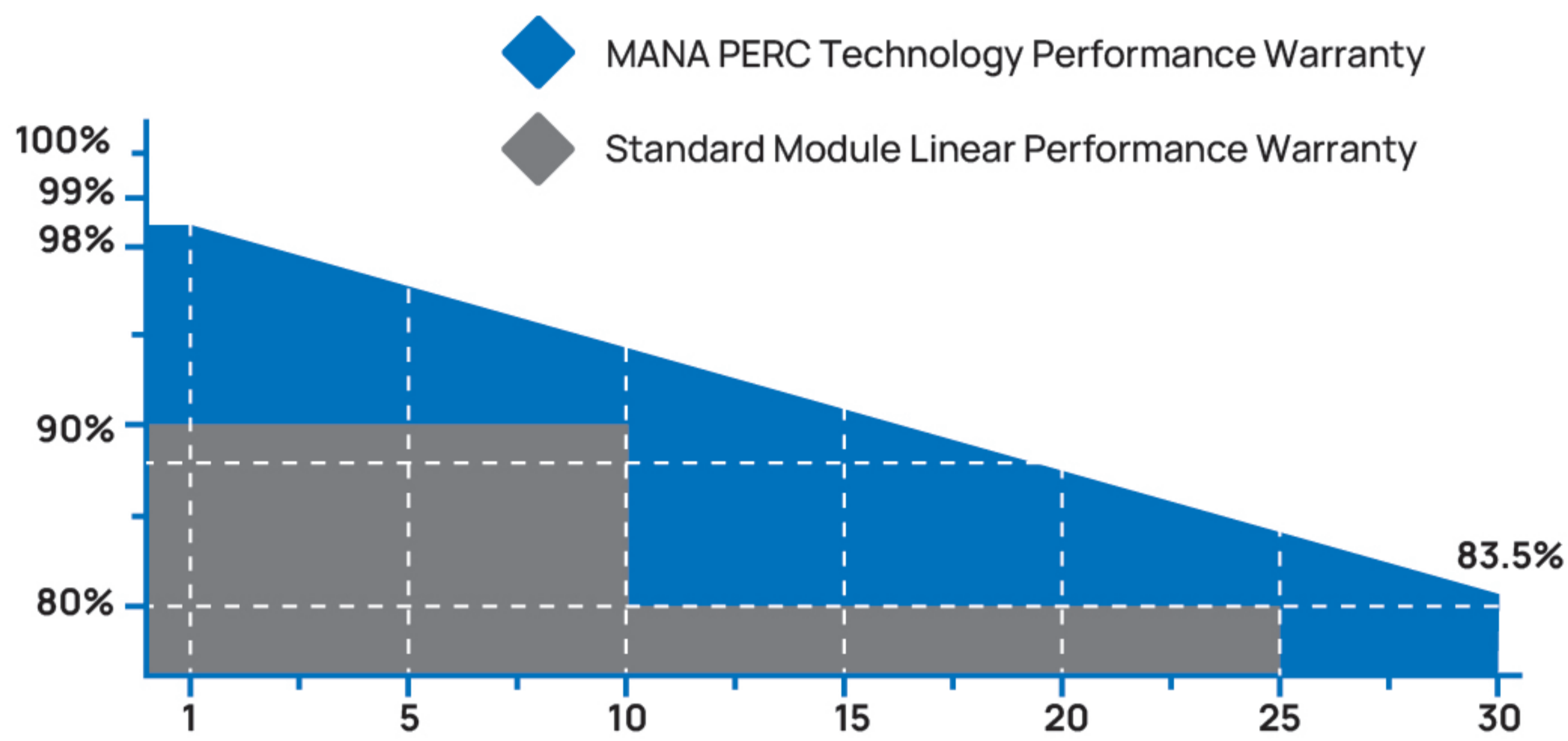
Higher power output even under low-light environment like on cloudy or foggy days

### Lower Temperature Coefficient

Better performance of the solar panel in higher temperature environment or hot days

### More Weather Resistance

Resistant to harsh environment such as salt, ammonia, sand, high temperature and high humidity area



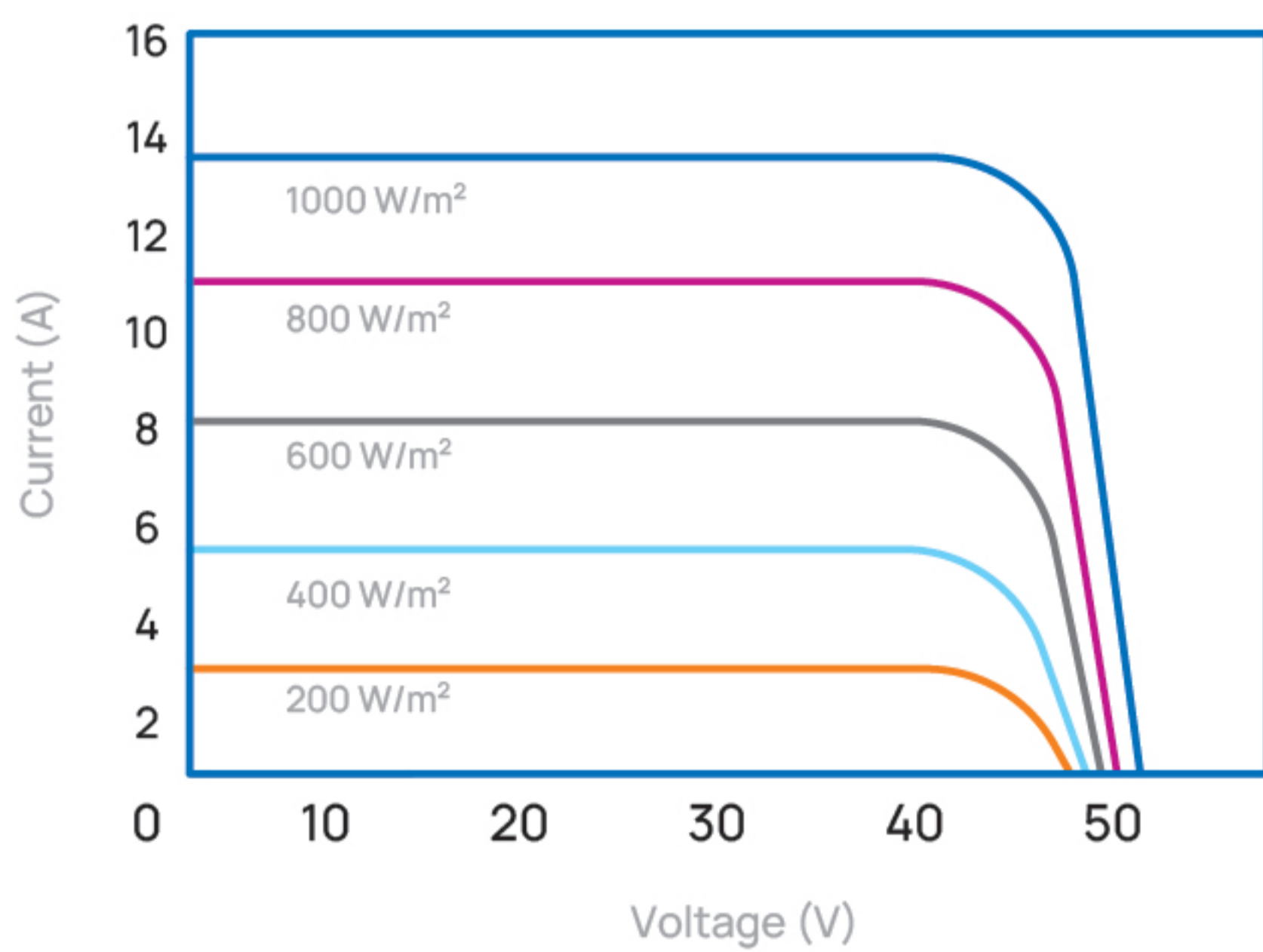
### Mana Energy's Certificates

TUV Certificate IEC 61215: 2021  
TUV Certificate IEC 61730: 2016  
TUV Certificate IEC 61730: 2023  
CE Certification (EN 61730:2018)  
UKCA Certification (EN 61730:2018)  
CEBEC Certification (IEC 61215: 2021 / IEC 61730: 2023)  
ISO 9001:2015: Quality management system  
ISO 14001:2015: Environmental management system  
ISO 45001:2018: Occupational health and safety management system

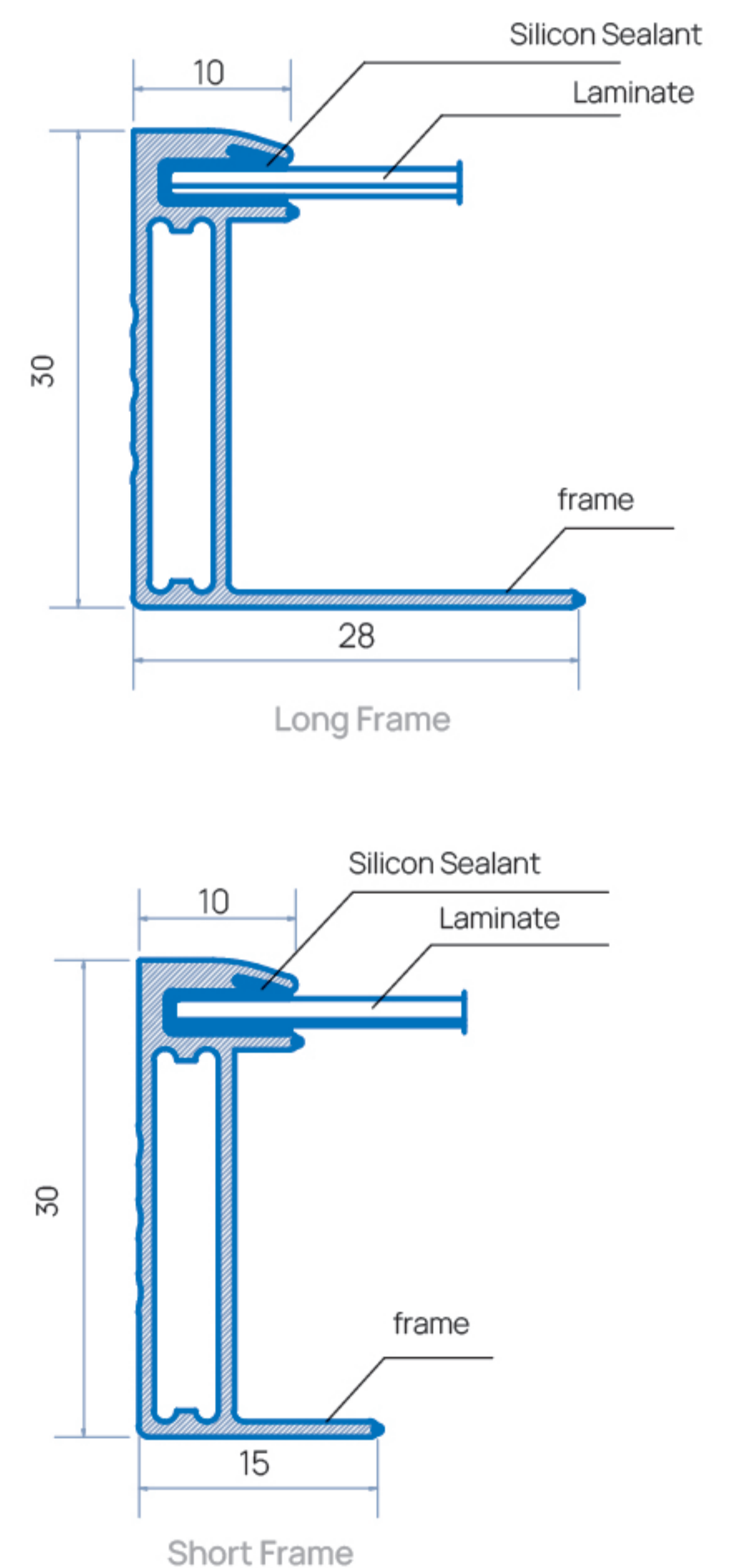
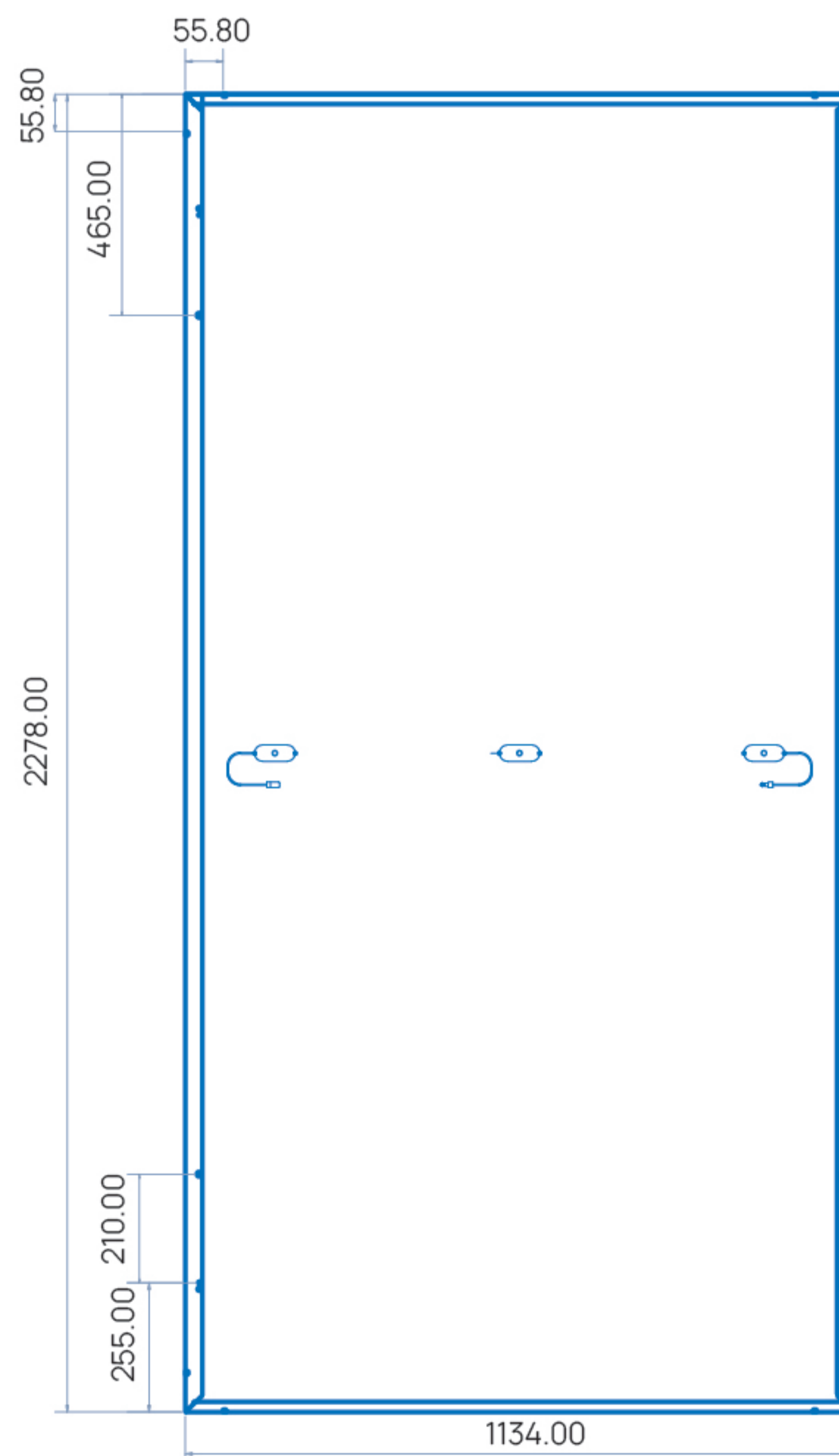
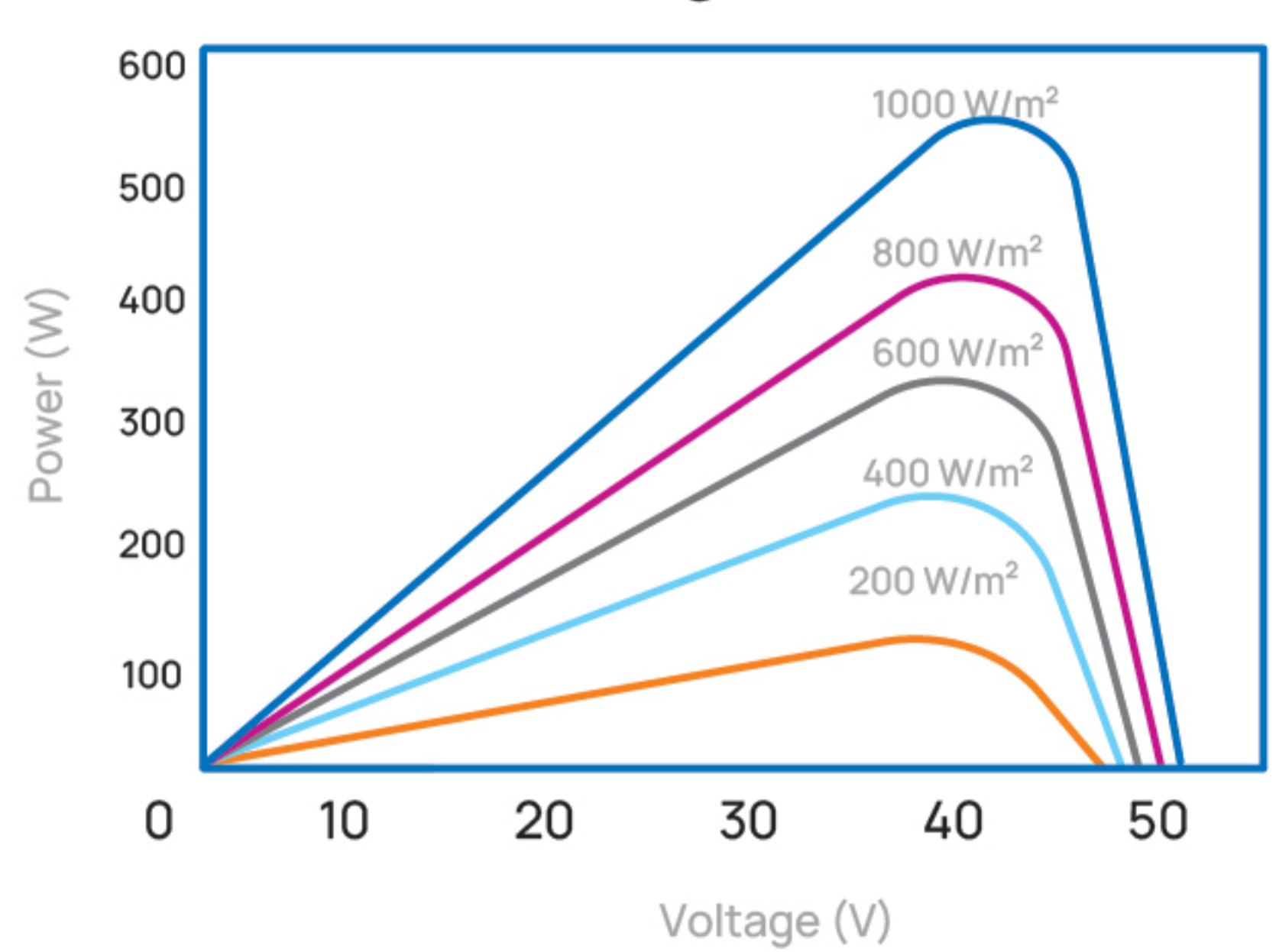


<b>30</b> YEARS	Performance Warranty	<b>12</b> YEARS	Product Warranty
--------------------	-------------------------	--------------------	---------------------

Current-Voltage Curve 555W



Power-Voltage Curve 555W



### Caution

To operate, install and manage Mana Energy Modules, read the installation manual and use carefully.

### Observation

This datasheet is subject to change without notice due to continuous improvement of our products. You can find all records of the updates on our website [www.manaenergypak.com](http://www.manaenergypak.com) or by contacting one of our sales staff. Allrights reserved @Mana Energy.



# MEP555-P144-GB

Electrical Specificatuin (STC) - Front Side			STC: AM1.5 1000W/m <sup>2</sup> 25°C [Test Uncertainty: ±3%]					
Model			MEP555-P144-GB 530	MEP555-P144-GB 535	MEP555-P144-GB 540	MEP555-P144-GB 545	MEP555-P144-GB 550	MEP555-P144-GB 555
Max Power	Pmp	[W]	530	535	540	545	550	555
Max Power Voltage	Vmp	[V]	41.90	42.02	42.14	42.26	42.38	42.50
Max Power Current	Imp	[A]	12.66	12.74	12.82	12.91	12.98	13.07
Open Circuit Voltage	Voc	[V]	50.95	51.06	51.17	51.28	51.39	51.50
Short Circuit Current	Isc	[A]	13.43	13.50	13.58	13.64	13.71	13.80
Efficiency		[%]	20.5	20.7	20.9	21.1	21.3	21.5

Electrical Specificatuin (NMOT) - Front Side			NMOT: 800W/m <sup>2</sup> 20°C 1m/s [Test Uncertainty: ±3%]					
Max Power	Pmp	[W]	397	401	405	409	412	416
Max Power Voltage	Vmp	[V]	39.05	39.18	39.30	39.46	39.62	39.81
Max Power Current	Imp	[A]	10.17	10.23	10.30	10.36	10.40	10.46
Open Circuit Voltage	Voc	[V]	48.09	48.17	48.22	48.33	48.47	48.55
Short Circuit Current	Isc	[A]	10.75	10.80	10.87	10.92	10.98	11.05

Mechanical Data	
Solar Cell	P-Type 182mm × 91mm - [12×12]
Module Dimension	2278×1134×30 mm
Weight	26.5kg
Front Cover	Glass - 3.2mm Tempered AR coated
Back Cover	White Backsheet
Frame	Silver - Anodized Aluminium Alloy
Junction Box	IP68 Rated - 3 Bypass Diodes
Cable	4mm <sup>2</sup> - 300mm

Temperature Ratings				
Temperature Coefficient	Isc	α	[%/°C]	+0.05
Temperature Coefficient	Voc	β	[%/°C]	-0.27
Temperature Coefficient	Pmax	γ	[%/°C]	-0.35
Nominal Module Operating Temperature	NMOT		[°C]	44±2

Operating Properties	
Max System Voltage	1500V
Max System Fuse Rating	25 A
Operational Temperature	-40 to +85 °C
Power Tolerance	+5W

Packaging Information	
# Module Per Pallet	35
# Pallet per 45'HC Container	22
# Pallet per 40'HC Container	20
# PCs per Container 40'HC	700
Pallet Weight (kg)	1010